

Register your New Fleming Product @
<http://www.fleming-agri.co.uk/Products/product-registration.asp>

EU CERTIFICATE OF CONFORMITY

CONFORMING TO EC Machinery Directive 98/37 EC

We



Fleming Agri-Products Ltd
Newbuildings Industrial Estate
Newbuildings
Northern Ireland
BT47 2SX

Declare in sole responsibility, that the products

To which this certificate applies, conforms to the basic safety
and health requirements of the Machinery Directive 98/37 EC,
and the Transposed Harmonised Standard: BS EN 1553 (2000)

BS EN 745 (1999)
BS EN 1553 (2000)

Jonathan Lecky
Production Director

The logo for Fleming Agri-Products Ltd. It features a stylized green leaf icon to the left of the word 'FLEMING' in a bold, blue, sans-serif font. The entire logo is set against a yellow rectangular background.

**8ft & 9ft FULLY OFF-SET TRAILED TOPPER
(HYD) TOP9T/TOP8T
Operators Manual**

**Fleming Agri-Products Ltd
Newbuildings Industrial Estate
Newbuilding s
Northern Ireland
BT47 2SX**

Tel: (028) 7134 2637

Fax: (028) 7134 4735

Email: [info@fleming -agri.co.uk](mailto:info@fleming-agri.co.uk)

[www.fleming -agri.co.uk](http://www.fleming-agri.co.uk)

'Quality, Strength & Personal Service'

FLEMING FULLY OFF SET TRAILED TOPPER

INTRODUCTION

Fleming Agri-Products Ltd is a family firm established in 1860.

The company is highly regarded as one of the leading manufacturers in the field of agricultural equipment in Ireland. Our portfolio can be found on the website at www.fleming-agri.co.uk.

This manual is designed to be user friendly and assist you in getting the best results from your machine while always keeping safety on your mind.

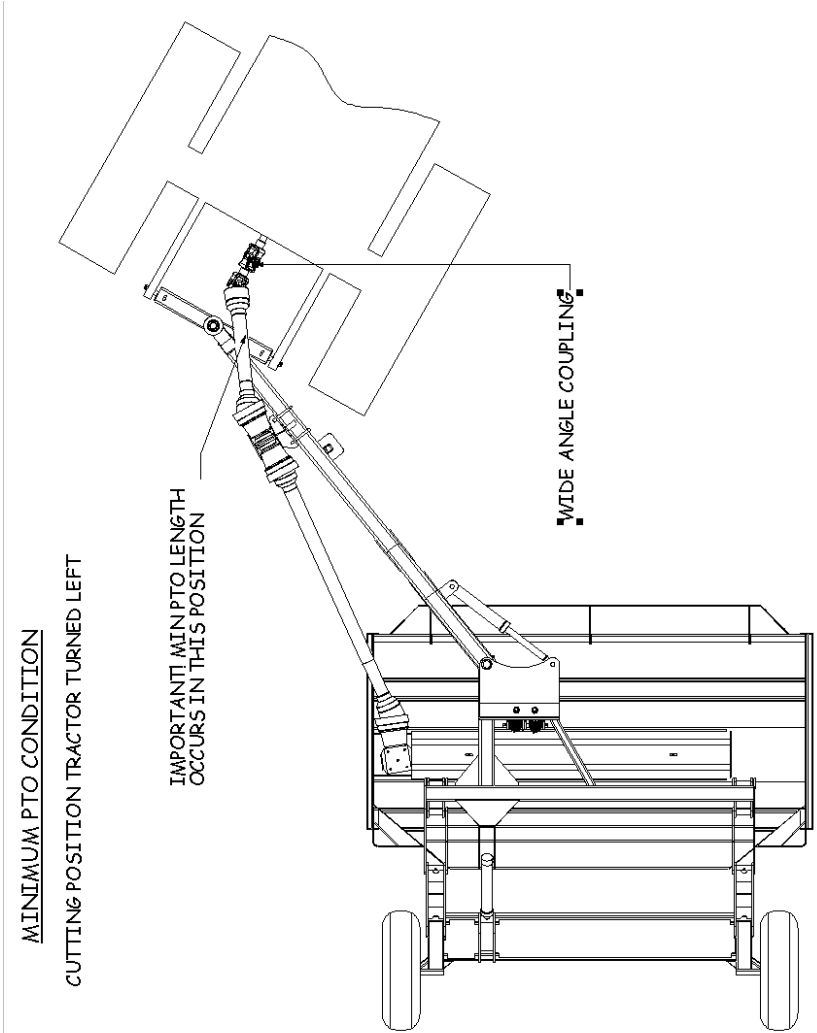
The Fleming Super Float Trailed Topper is the latest addition to the quality range of farm machinery manufactured at Fleming Agri-Products. This Topper is fully off-set when in topping position, allowing a clean cut of uneven pasture. The topper can be driven by relatively low powered tractors. The heavy duty Rotors with swinging blade system allows the topper to withstand the excessive pressure of wet conditions. The cutting height is adjusted by setting up the position of the skids on either side of the topper. The skids unique floating mechanism will also prevent the topper from grounding when working on uneven ground conditions.

The Fleming Trailed Topper is multi purpose, while designed for agricultural use it may also be used for topping playing fields or other local authority areas. It will also successfully top in wet conditions and heavy pasture including rushes etc. This topper is suitable to top set-aside.

GENERAL OPERATING INSTRUCTIONS

Before operating topper read safety instructions. Ensure all operators are familiar with the points made:

- Fit tractor lift arm linkage to topper in normal way
- **N.B Always lock the lift** in the lowered position before connecting the wide angle PTO Shaft and at all times during operations
- Check oil level in gear box before use
- Fit PTO Shaft to ensure correct length when in Transport position
- Adjust Topping height by removing 4 bolts on each skid and set to height required. Topper must be in topping position before height is adjusted. Set cutting height with topper standing on even ground.
- Adjust spring tension to correspond with topping height. Correct tension should exert slight upward pressure on cutting deck in working positions.
- Begin to operate at low PRM and gradually increase to 500 RPM
- Ensure that hydraulic hose is long enough to facilitate turning
- With the PTO shaft and all safety guards in place, it is safe to start topping
- **DO NOT ENGAGE PTO WHILE IN TRANSPORT POSITION**
- **ENSURE TOPPER AREA HAS NO BY-STANDERS-LIFE CAN BE ENDANGERED BY FLYING MATERIAL THROWN FROM TOPPER**



AUTHORISED OPERATORS

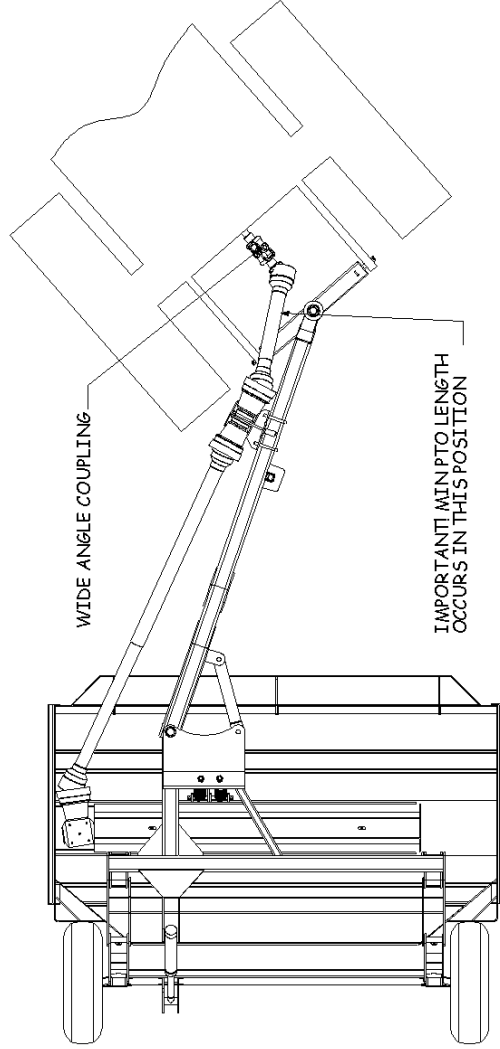
Youths under the age of 16 must not operate this implement. The owner of the machine must provide the operator with the operating instructions and make sure they have read and understood them. Only then may the topper be put into operation.

The owner must ensure that only authorised persons operate/work on this machine. They are responsible for any third persons or animals within the working area of the topper.

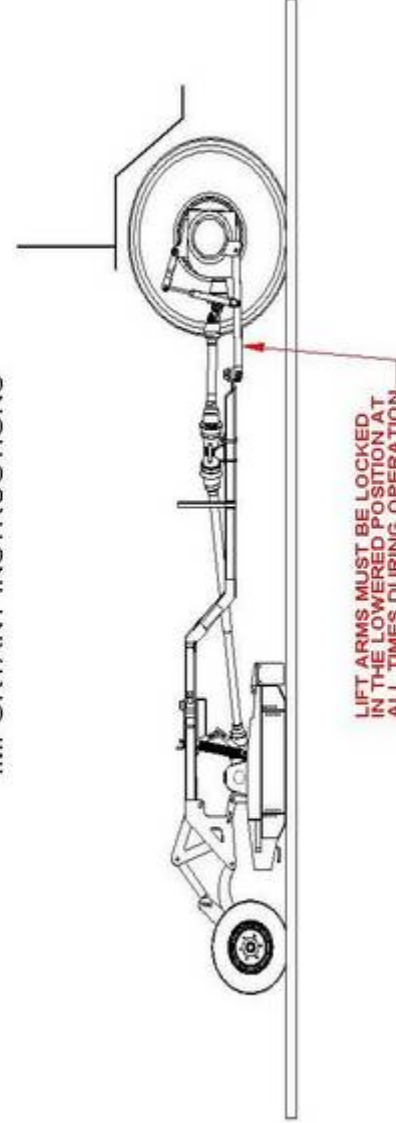
A SAFE DISTANCE OF AT LEAST 30M MUST BE OBSERVED BY ANYONE WITHIN THE VICINITY OF THE TOPPER.

MINIMUM PTO CONDITION

TRANSPORT POSITION TRACTOR TURNED LEFT



IMPORTANT INSTRUCTIONS



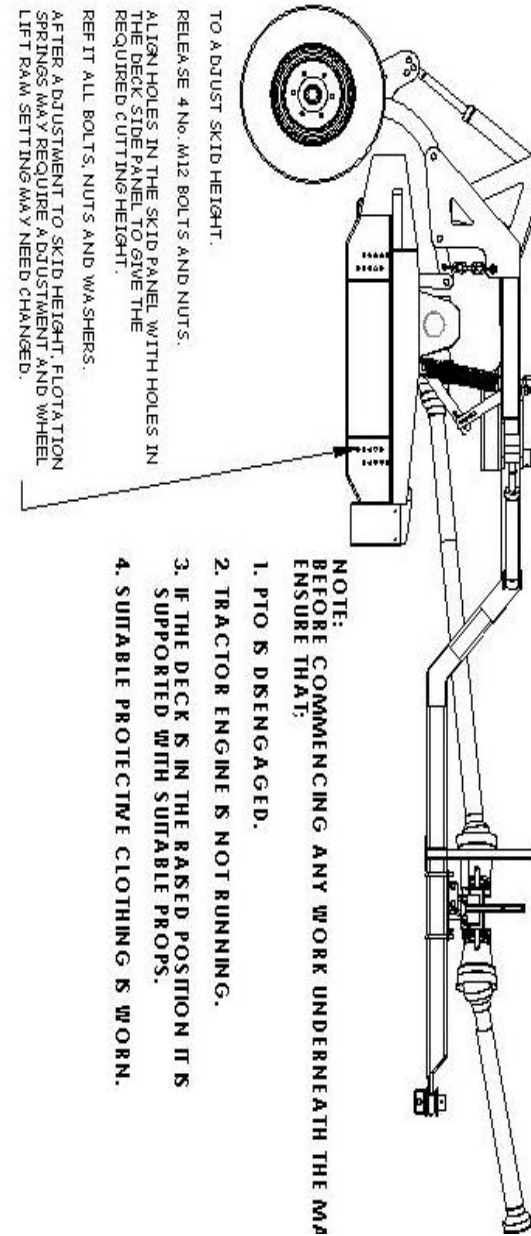
REGULAR MAINTENANCE

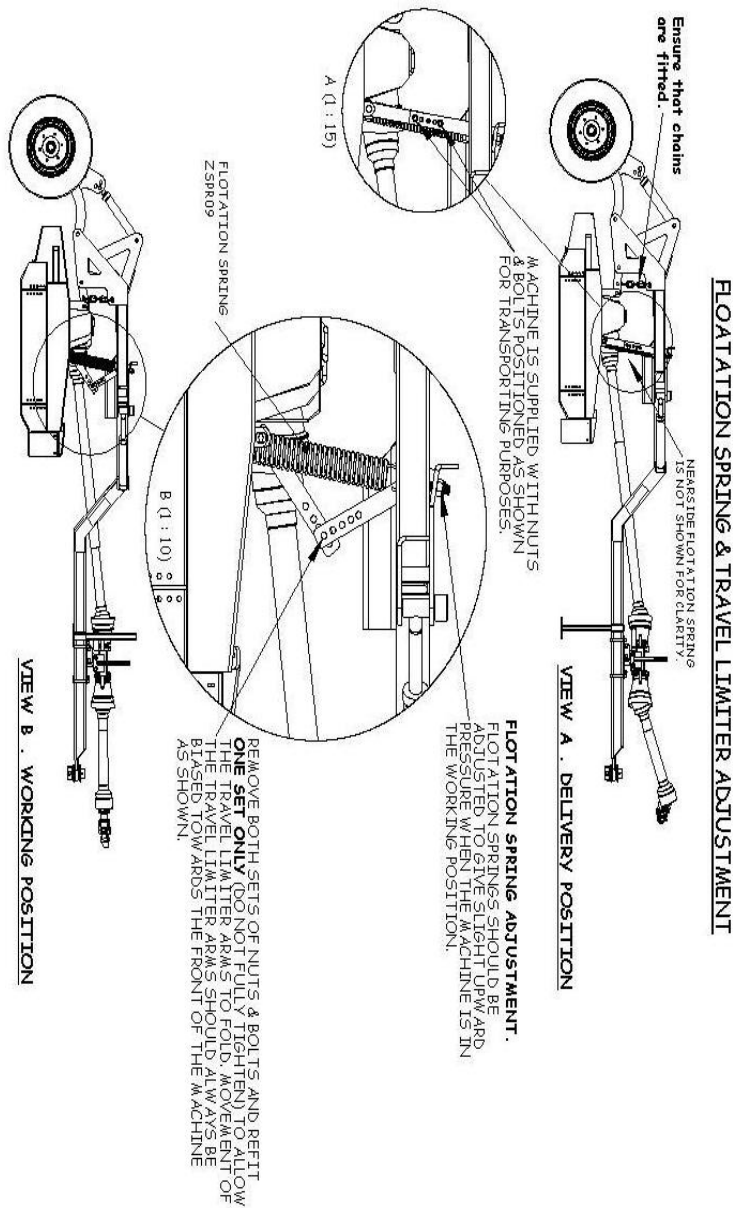
Before carrying out repairs or maintenance to the topper please read the safety instructions
NB ENSURE THAT THE MAIN PTO SHAFT TO THE TRACTOR IS DISENGAGED BEFORE WORKING UNDER THE TOPPER. REMEMBER THAT THE BLADES WILL CONTINUE TO ROTATE FOR SOME TIME EVEN AFTER THE TRACTOR PTO SHAFT IS SHUT OFF

- Check oil level in gearbox before operating and at regular intervals
- Use SAE 90 Gear Oil
- Grease PTO shaft tubes, universal joints, and all other greasing points daily
- Remember that body paint-work may be damaged as a result of high powered washers when cleaning topper
- Consult your dealer before fitting non-standard parts when carrying out minor repairs
- Ensure blades are kept sharp(straighten if necessary)
- Check holding bolts on gearboxes after every 20 hours of topping and tighten if necessary
- ALWAYS ensure all warning stickers are kept clean and in good condition

SAFETY INSTRUCTIONS

1. **NEVER** operate the topper with anyone standing at close range to the tractor or topper. This will prevent people getting injured by material being thrown from the topper.
2. **NEVER** allow riders on the machine or on the drawbar of the Topper. It is extremely dangerous. Passengers should only be carried within an enclosed safety cab where he/she can be carried in a safe position.
3. Tractor drivers or helpers should avoid wearing loose flapping clothes when working close to PTO driven machinery. Keep long hair tied back.
4. **ALWAYS** ensure all safety guards are fitted and firmly in position at all times. **WARNING: ALWAYS** check the guards or covers are replaced after carrying out maintenance or adjustments.
5. Disengage the PTO before dismounting from the Tractor cab.
6. Ensure main PTO shaft to tractor is disengaged before working under Topper. Blades continue to rotate for some time after the tractor PTO is shut off. Before attempting to clear blockages or open covers (to adjust or maintain topper) make sure the rotors have come to a complete stand still.
7. Ensure PTO shaft is correct length to suit tractor.
8. **ALWAYS** ensure PTO Tubes and universal joints have sufficient grease.
9. **NEVER** adjust the Topper skids without having the topper in a safe and stable position.
10. **NEVER** use any other bolts other than shear bolts on the knuckle joint. Always ensure the rating is 6.8. If heavier rated shear bolts are used it may cause undue stress to the Topper.
11. **NEVER** distract people who are using machines.
12. Take care when operating machinery on sloping ground.
13. Take extra care when carrying out maintenance and adjustments as this is when most farm accidents occur.
14. **ALWAYS** use the recommended spare parts.
15. **NEVER** attempt to move this implement manually

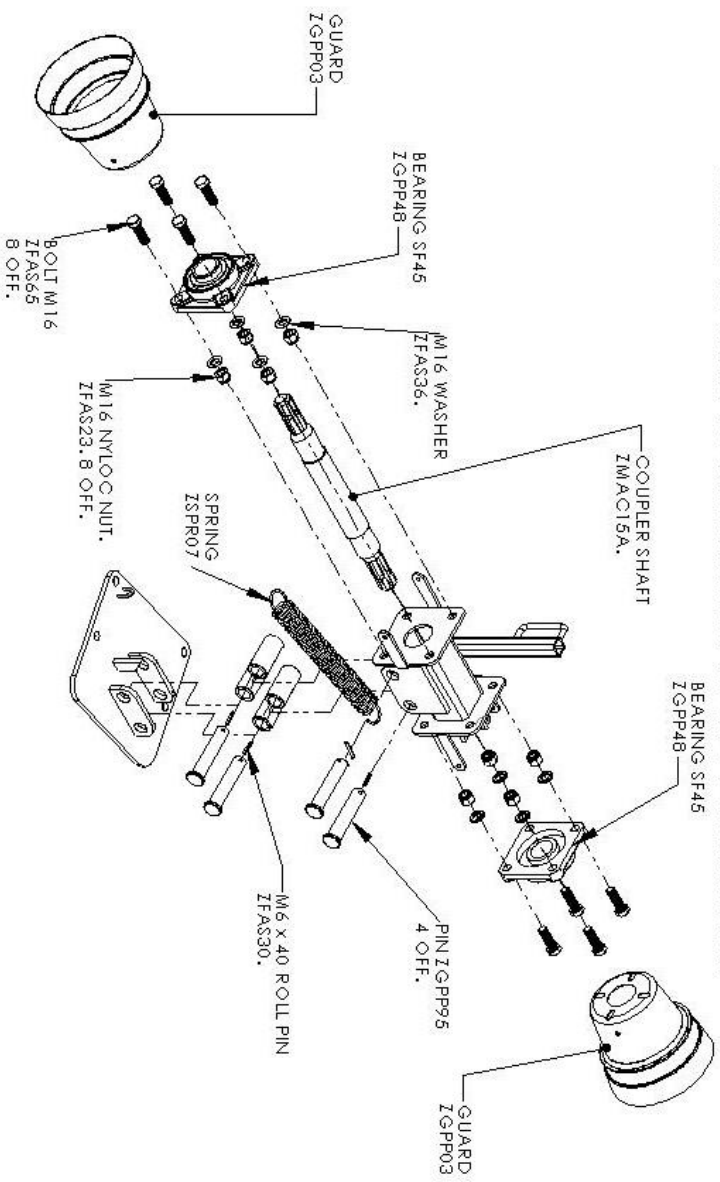




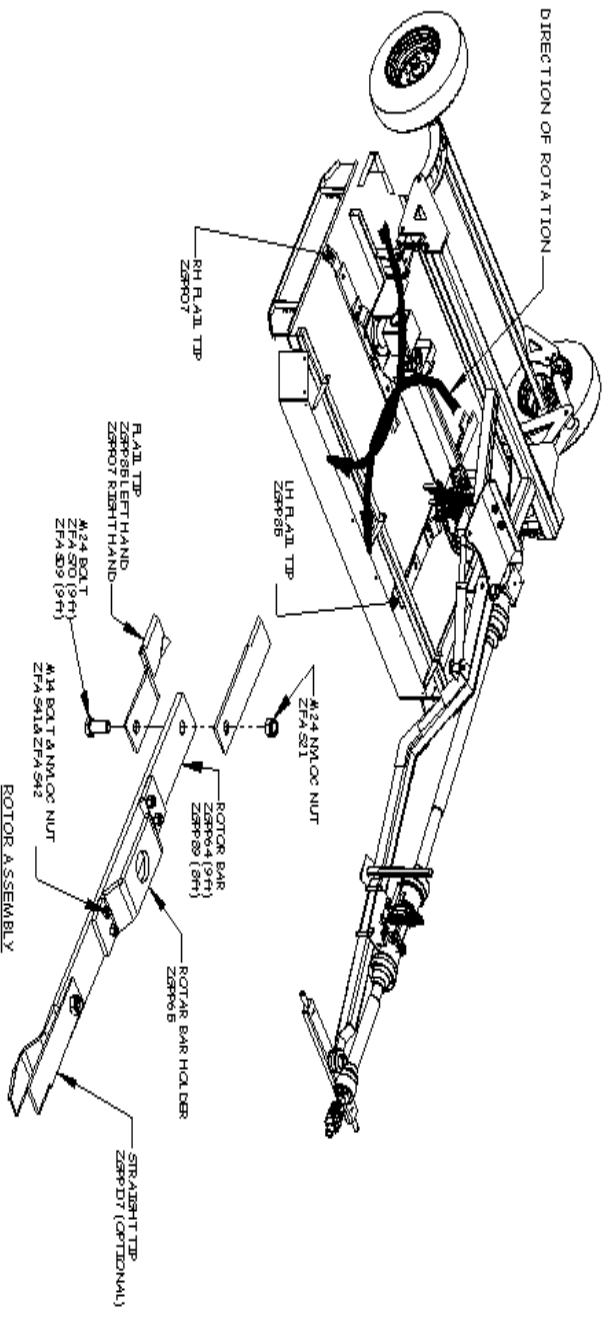
Hydraulic safety

- ◆ **Caution** the hydraulic system is under high pressure.
- ◆ Ensure that only high pressure hoses are used to connect supply to the hydraulic cylinder. Check hoses regularly and renew any that are damaged or worn.
- ◆ Before working on the hydraulics lower the machine, release the pressure from the system and stop tractor engine.
- ◆ When connecting hydraulic rams make sure that the hydraulic hoses are coupled correctly. Pressure should be released from the system both on the tractor and on the implement side prior to coupling the hoses to the tractor hydraulics.
- ◆ **Caution** Hydraulic oil forced out under pressure can beak the skin and cause severe injury. In the event of a hydraulic oil leak stop the tractor flow immediately.
- ◆ **Do not put hands near a leaking pipe.**

LONG PTO SHAFT TO WIDE ANGLE PTO SHAFT CONNECTOR



ROTOR ASSEMBLY AND DIRECTION OF ROTATION

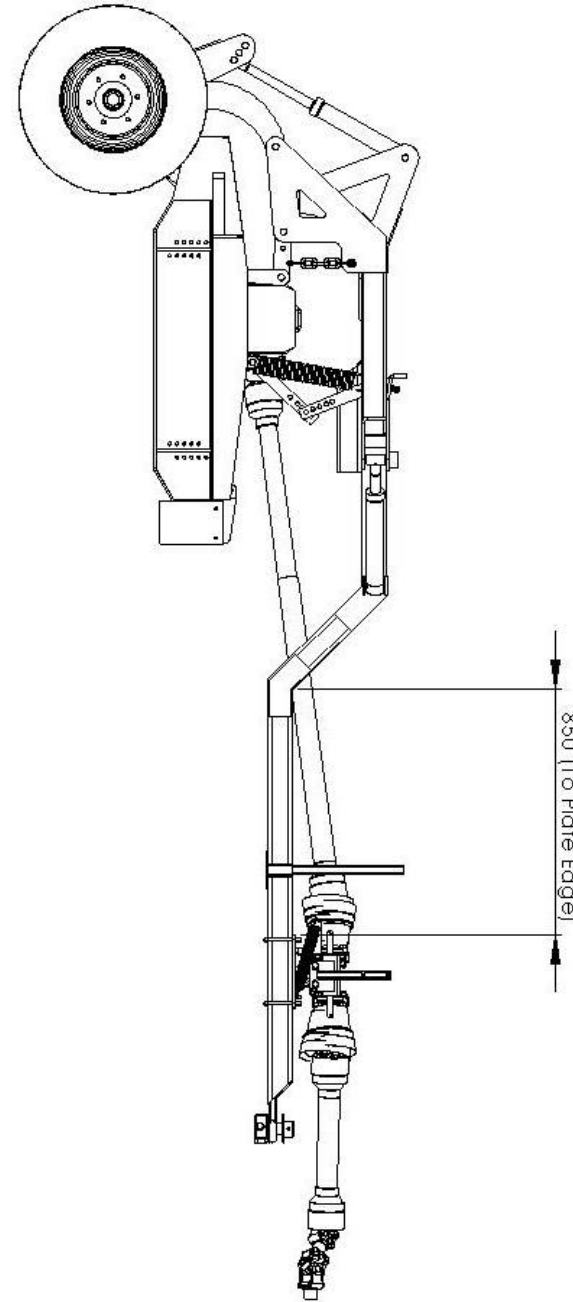
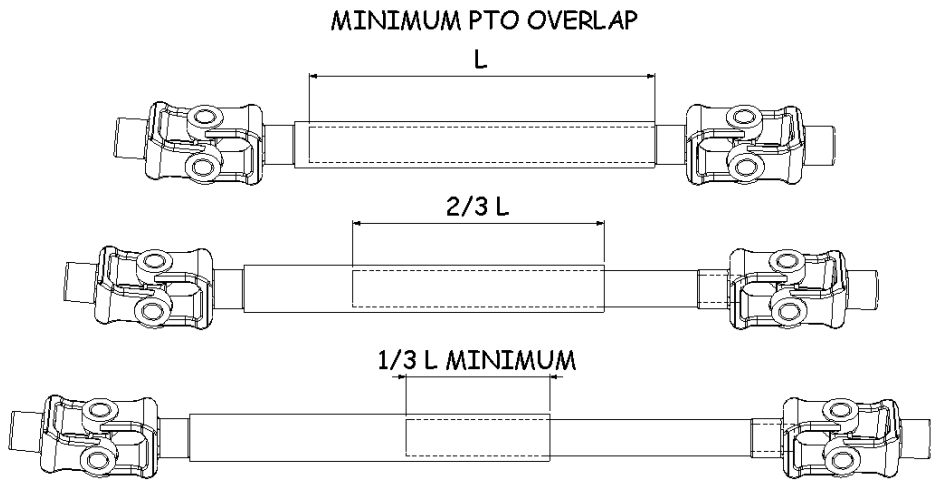


1.5 PTO SHAFT LENGTH

The PTO shaft length may be altered to suit individual tractor. During operation when the PTO is at its maximum extended length there must be a minimum overlap of 1/3 PTO shaft length as shown in the minimum PTO overlap diagram.

The topper should be hitched to the tractor and be checked in various positions to ensure that the PTO drive line is the correct length. Remember that undulating ground can also affect the length of the PTO shaft.

CAUTION! ENSURE THE PTO DOES NOT BOTTOM WHEN LIFTING MACHINE.



This dimension is important to ensure that PTO shaft does not disengage or foul.

ASSEMBLY INSTRUCTIONS

ASSEMBLY OF DECK TO FRAME

Please Note – To ensure a level cutting, ensure that the length of chain is 30mm (1ft) between hole centres.

