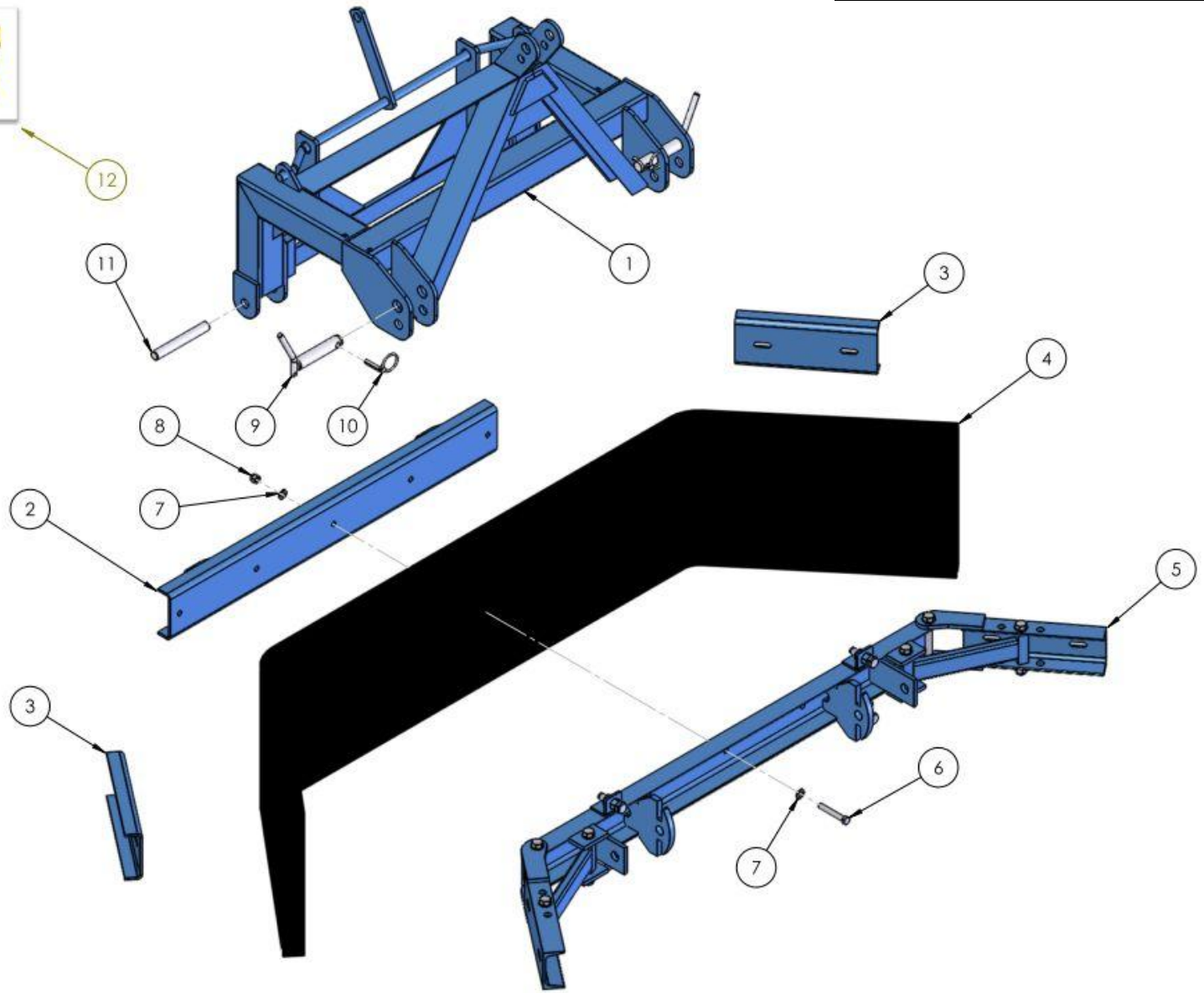


FLEXI ALL RUBBER SCRAPER SPARE PARTS LIST



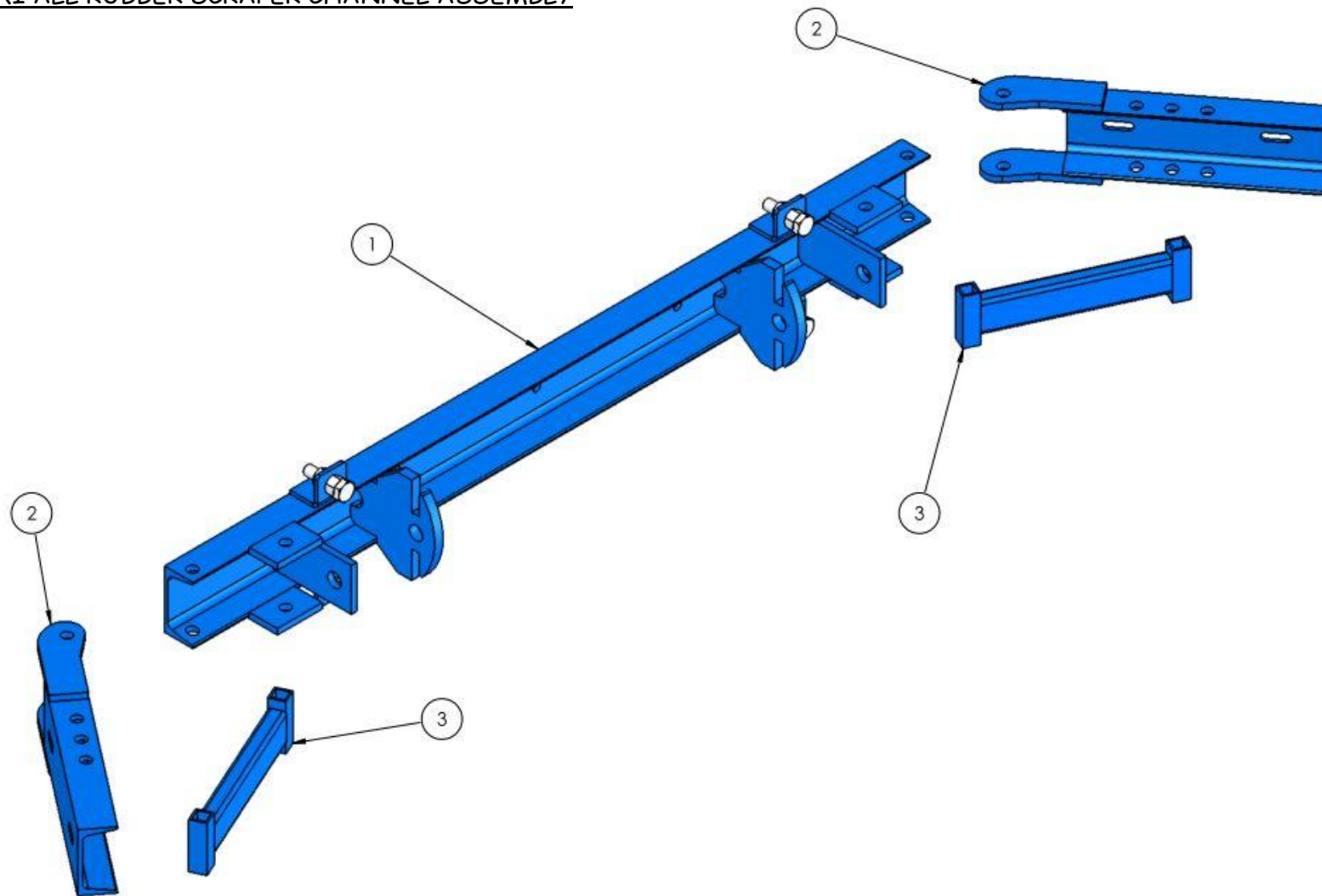
FLEXI ALL RUBBER SCRAPER FRONT VIEW



SEE TABLE NO: 001

TABLE NO: 001 FLEXI ALL RUBBER SCRAPER FRONT VIEW			
ITEM NO	DESCRIPTION	AYSF/AYSFG	
		CODE	QTY
1	AYSF HEADSTOCK PAINTED	P001.182	1
1	AYSFG HEADSTOCK GALVANISED	P001.183	1
2	AYSF BACK SUPPORT PAINTED	P001.184	1
2	AYSFG BACK SUPPORT GALVANISED	P001.185	1
3	AYSF WING SUPPORT PAINTED	P001.186	2
3	AYSFG WING SUPPORT GALVANISED	P001.187	2
4	RUBBER BLADE	ZGPP38	1
5	AYSF CHANNEL COMPLETE PAINTED	P001.188	1
5	AYSF CHANNEL COMPLETE GALVANISED	P001.189	1
6	M12x80 SETSCREW ZP	ZFAS53	9
7	M12 WASHER ZP	ZFAS45	18
8	M12 NYLOCK NUT	ZFAS22	2
9	CAT2 LIFT ARM PIN	ZGPP62	2
10	M10x40 LINCH PIN	ZFAS31	2
11	PIVOT PIN	ZMAC39	2
12	STICKER KIT	P001.526	1

FLEXI ALL RUBBER SCRAPER CHANNEL ASSEMBLY

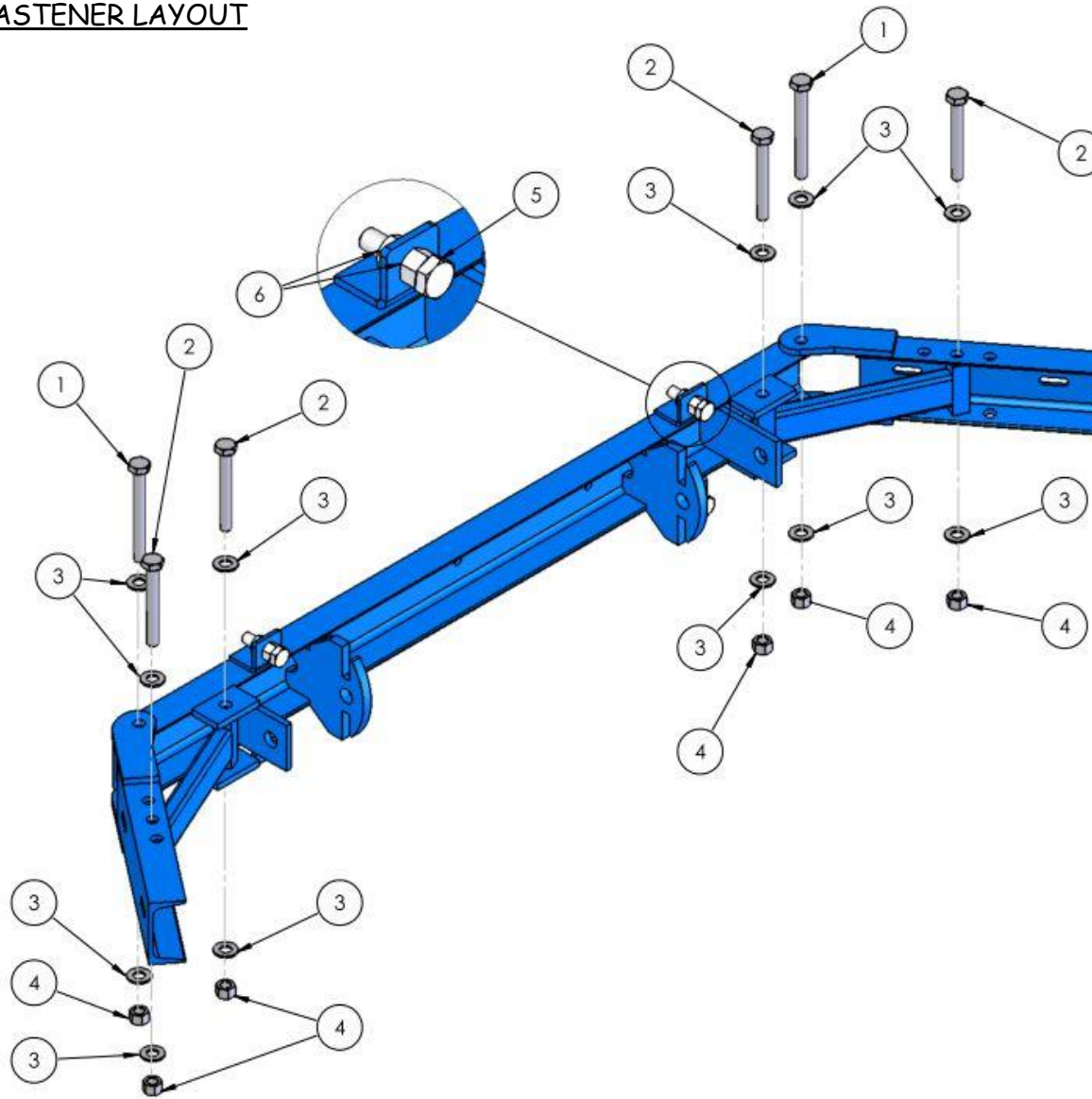


SEE TABLE NO: 002

TABLE NO: 002 FLEXI ALL RUBBER SCRAPER CHANNEL ASSEMBLY

ITEM NO	DESCRIPTION	AYSHD/AYSHDG	
		CODE	QTY
1	AYSF CENTRE CHANNEL ASSEMBLY PAINTED	P001.190	1
1	AYSF CENTRE CHANNEL ASSEMBLY GALVANISED	P001.191	1
2	AYSF WING PAINTED	P001.192	2
2	AYSF WING GALVANISED	P001.193	2
3	AYSF STAY BAR PAINTED	P001.194	2
3	AYSF STAY BAR GALVANISED	P001.195	2

AYSF CHANNEL FASTENER LAYOUT

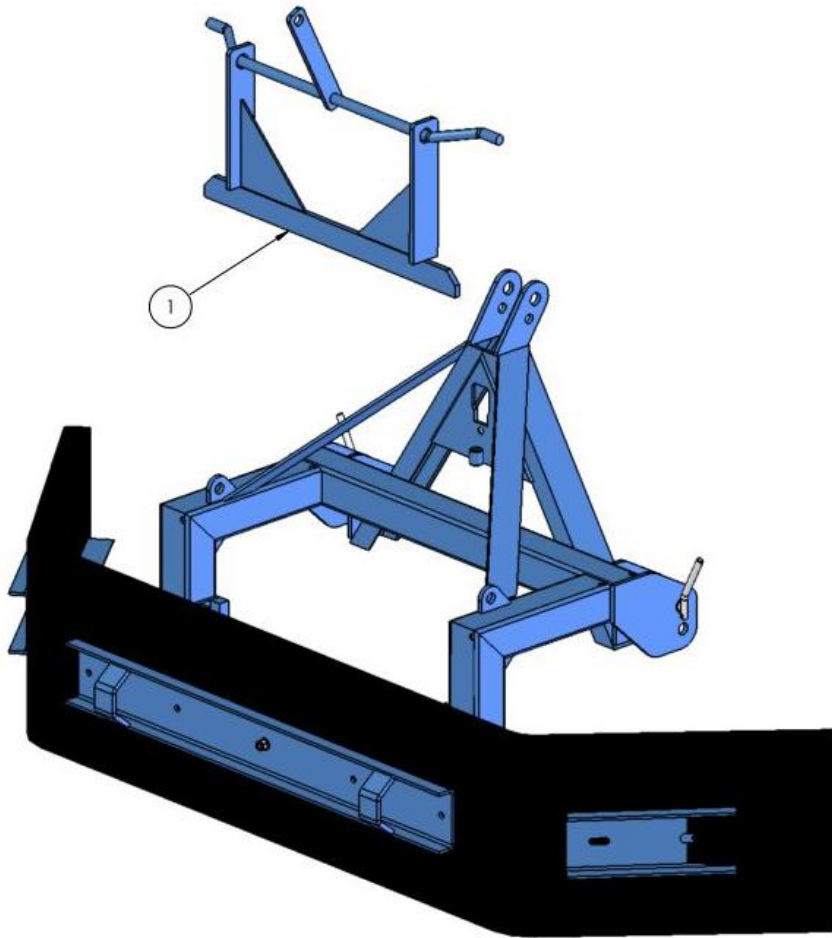


SEE TABLE NO: 003

TABLE NO: 003 FLEXI ALL RUBBER SCRAPER CHANNEL FASTENER LAYOUT

ITEM NO	DESCRIPTION	AYSHD/AYSHDG	
		CODE	QTY
1	M16x150 BOLT ZP	ZFAS66	2
2	M16x130 BOLT ZP	ZFAS67	4
3	M16 WASHER ZP	ZFAS36	12
4	M16 NYLOCK NUT	ZFAS23	6
5	M16x60 SETSCREW ZP	ZFAS82	4
6	M16 PLAIN NUT ZP	ZFAS63	8

FLEXI ALL RUBBER SCRAPER TRIP MECHANISM



SEE TABLE NO: 004

TABLE NO: 004 FLEXI ALL RUBBER SCRAPER TRIP MECHANISM			
ITEM NO	DESCRIPTION	AYSHD/AYSHDG	
		CODE	QTY
1	AYSF TRIP MECHANISM	P001.196	1

